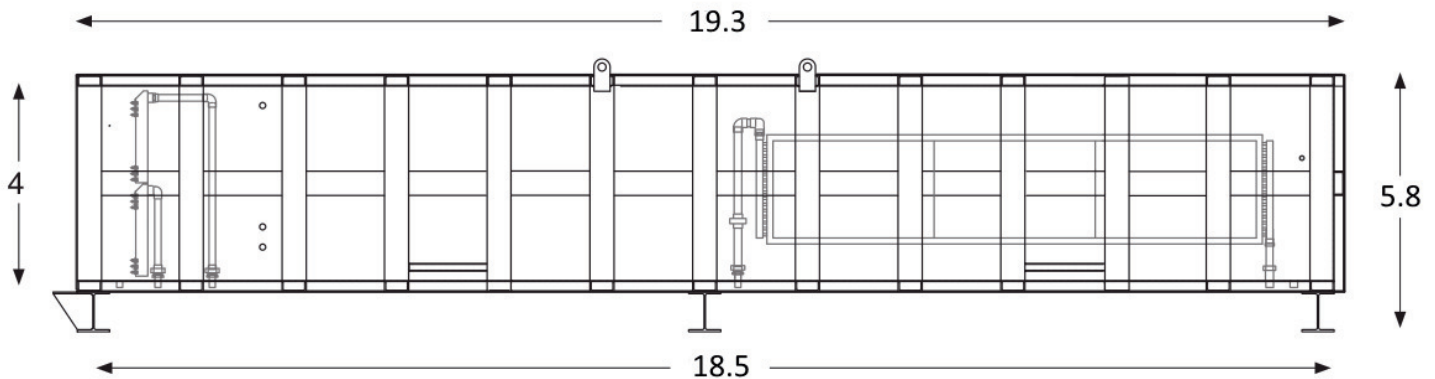


VacDry VK2.5: Specifications



Projections w/ 8/4 Hard Maple

Layers per Load	16
Max. Boardfeet Capacity	~3586
Boardfeet @ 80% Coverage	~2869
Drying Time	7 Days
Loads per Month	~4
Boardfeet per Month	~11,713
Boardfeet per Year	~140,560

Requirements w/ 8/4 Hard Maple

Avg Electric Usage per Hour	~6.7 kW
Electric Usage per Load	~1132 kW
Electric Cost @ \$0.11/kWh	~\$124
Avg BTU per Hour	~31,920 BTU
MBTU per Load	~5.4 MBTU
BTU Cost @ \$2.70/gal	~\$123

Specifications

Kiln Charge Size:	80"W x 42"H x 17' L
Floor Space Required:	~9'W x 38'L
Shipping Weight:	~20,000 Pounds
Service Entrance:	20A @ 460VAC

